

PART NAME	STEM LEVELER	PART No.	RL-7766, RL-7767, RL-7771	REV. DATE	10-29-08
-----------	--------------	----------	---------------------------	-----------	----------

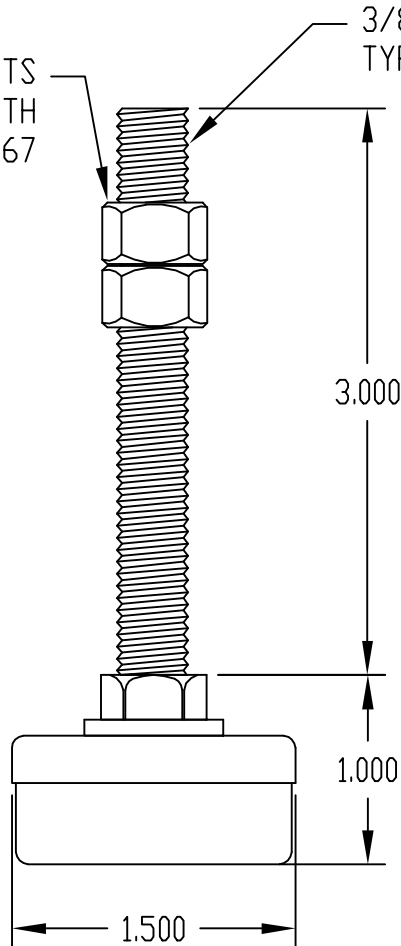
LOAD RATING:
ALL LEVELERS _____ 200 LBS.

MATERIAL:
STEMS & CAPS, HEX NUTS _____ STEEL
PADS _____ AS NOTED

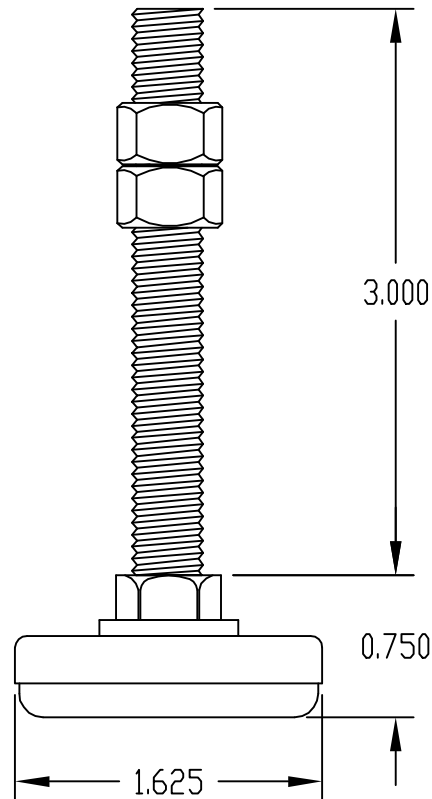
FINISH:
STEMS & CAPS _____ ZINC PLATE WITH CLEAR CHROMATE
HEX NUTS _____ ZINC PLATE
PADS _____ AS NOTED

QTY. (2) HEX NUTS SUPPLIED WITH RL-7766 & RL-7767

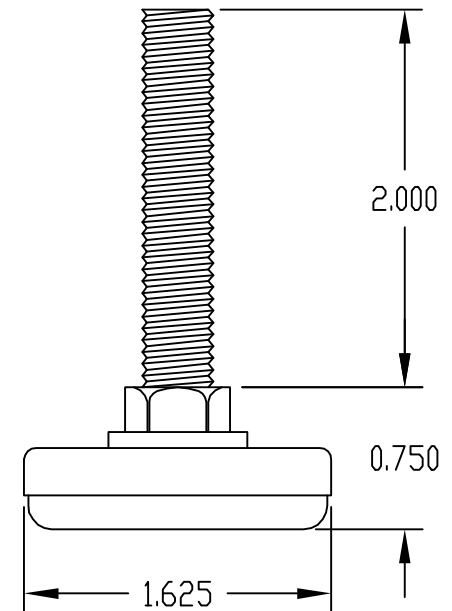
3/8-16 THREAD TYP. ALL STEMS



RL-7766
GREY RUBBER PAD



RL-7767
WHITE NYLON PAD



RL-7771
WHITE NYLON PAD
HEX NUTS NOT SUPPLIED